

Framing Projector Canopy Mount



PROJECT:

TYPE:

SPECIFIER:

DATE:

Key Points (SCFP)

Housing

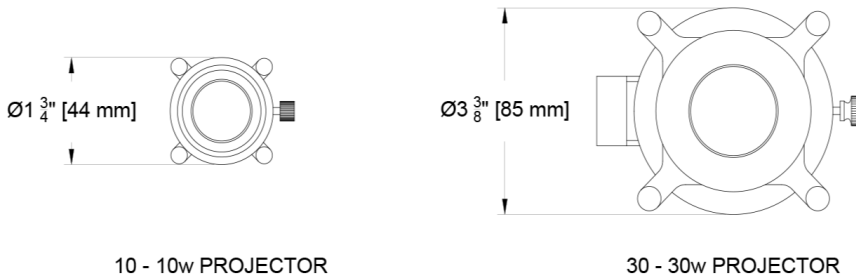
- Numerous Mounting options
- Finishes: Standard black and white
- Durable die-cast aluminum craftsmanship
- For use with A.A.G Stucchi surface and recessed track
- Accepts accessories (filters, GoBo, etc)

Source/Optics

- 360° horizontal rotation and 90° vertical aiming
- 90+ CRI standard
- 2 Different output options (10W and 30W)
- Beam Range 20° to 35°
- Precise, high definition built-in zoomable and shapeable projection
- IP20 _{US}

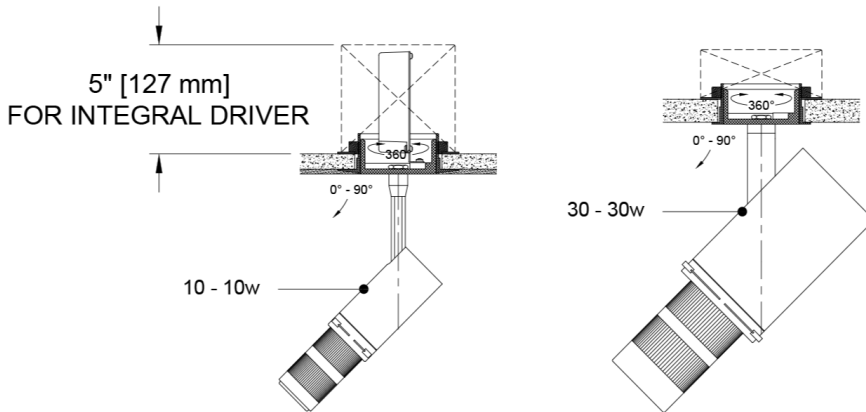
Driver And Control

- TruPhase™, 0-10v, DALI-2, DMX



10 - 10w PROJECTOR

30 - 30w PROJECTOR





10 - 10w

30 - 30w

Ordering Codes

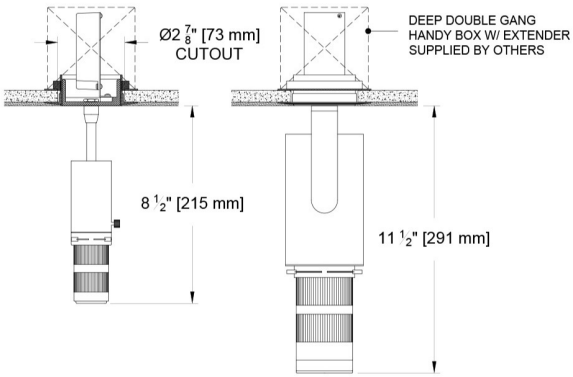
PROJECT: _____ SPECIFIER: _____
 DATE: _____ TYPE: _____ QUANTITY: _____

Ordering Code Example: SCFP-Z-SMR#BP-30-27-35-TR2-B

FIXTURE	TRIM	MOUNTING	SOURCE / WATTS	CCT	BEAM	DRIVER / CONTROL	HEAD FINISH
Scope Framing Projector	F Flanged Trim Z Flangeless Trim CP Canopy Plate for Pancake Box	SM Surface Mount *†# SMR Surface Mount ^ Δ SMLJB - Surface Mount † Large Junction Box PM Panel Mount *†# PMR Panel Mount ^ Δ Shallow Panel Installation SHPM Shallow Panel Mount Δ Pancake/ Octagonal J-Box Installation CM Δ Canopy Mount Retro-fit Installation SHM Δ Shallow Surface Mount # - Bracket Pan available - Add #BP after mounting option † Integral Driver Δ Remote Driver * Deep double gang Handy box supplied by others for driver enclosure ^ Double gang Handy box supplied by others for fixture mount and low voltage wiring For Track options see YSLH-SCFP	C10 10W 90+CRI, 60+R9 10 Watt C30 30W 90+CRI, 60+R9 30 Watt View Photometry 40	27 2700K 30 3000K 35 3500K 40 4000K	20-35 Range	C1 0-10 1.0%, UNV (120-277V) linear C2 ELV/Triac 1.0%, (120V) linear E1 0-10 0.1%, UNV (120-277V) log E2 DALI-2 0.1%, UNV (120-277V) log E3 0-10 0.1%, UNV (120-277V) linear E4^ DMX 0.1%, UNV (120-277V) Universal DMX Driver/Controller RGBW-DMX ^ INCLUDES DMX/RDM COMPATIBLE DRIVER WITH BUILT-IN DECODER - CONTROLLER BY OTHERS TR2 TruPhase™ 0.1%, (120-120V) log Up to 20W Forward and Reverse compatible Phase Dimming Static White & Ambient Dim only	W White Paint  B Black Paint 

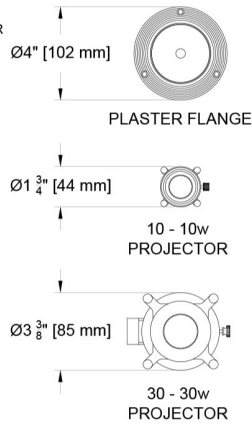
Ceiling Cutouts and Dimensions

Flangeless Framing Projector (Integral Driver)



Plaster Surface Mount (SM)

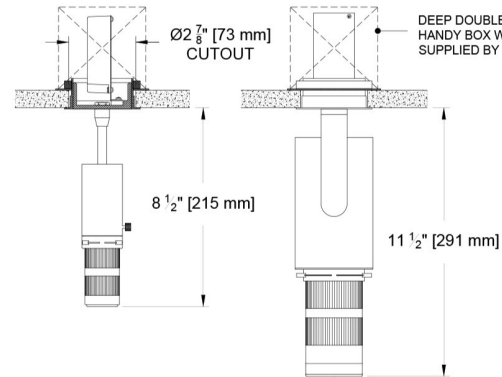
(SCFP-Z-SM-)



Integral Driver

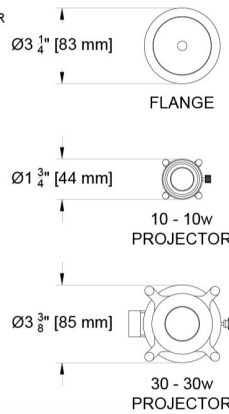
See *Integral Driver Detail* page for recessed depth and j-box configurations by driver type.

Flanged Framing Projector (Integral Driver)

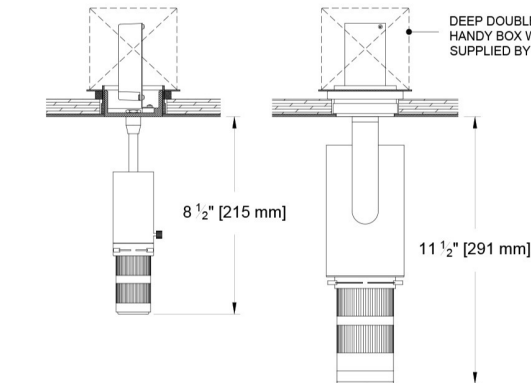


Flanged Surface Mount (SM)

(SCFP-F-SM)

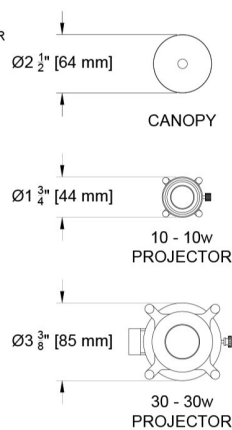


Flangeless Framing Projector (Integral Driver)

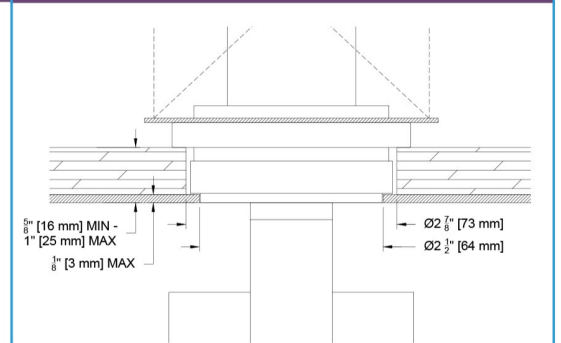


Flangeless Panel Mount (PM)

SCFP-Z-PM-)



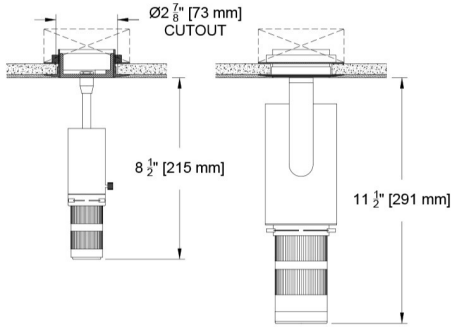
Panel Mount Detail



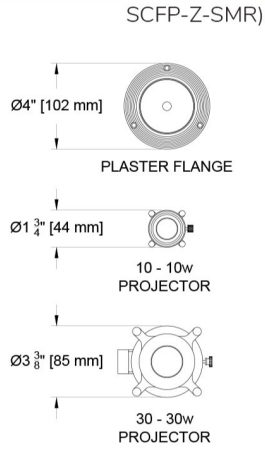
* Deep double gang handy box supplied by others for driver enclosure

Ceiling Cutouts and Dimensions

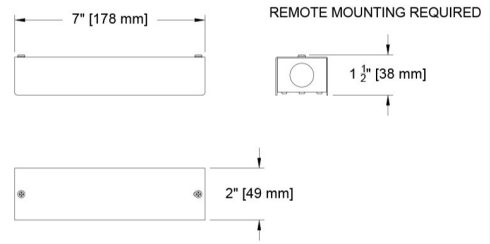
Flangeless Framing Projector (Remote Driver)



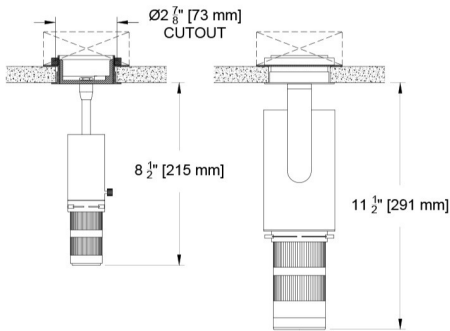
Plaster Surface Mount (SMR)



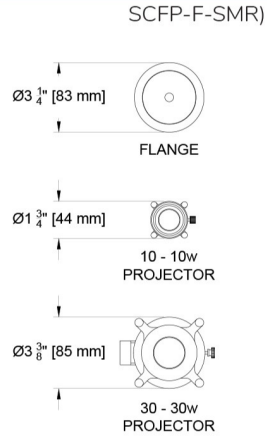
Remote Driver Box for E1, E2, E3, C1, C2, TR2



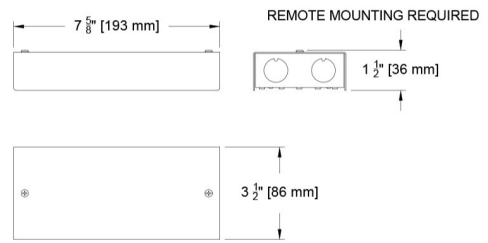
Flanged Framing Projector (Remote Driver)



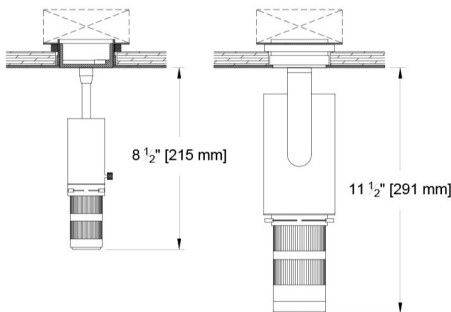
Flanged Surface Mount (SMR)



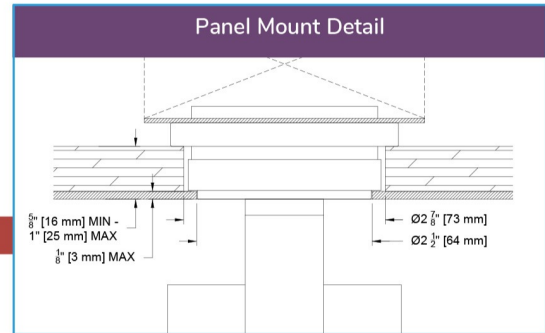
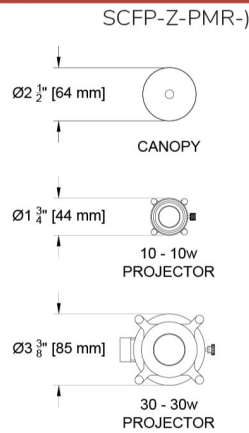
Remote Driver Box for E4



Flangeless Framing Projector (Remote Driver)

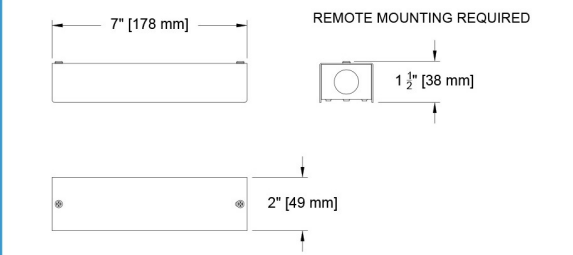
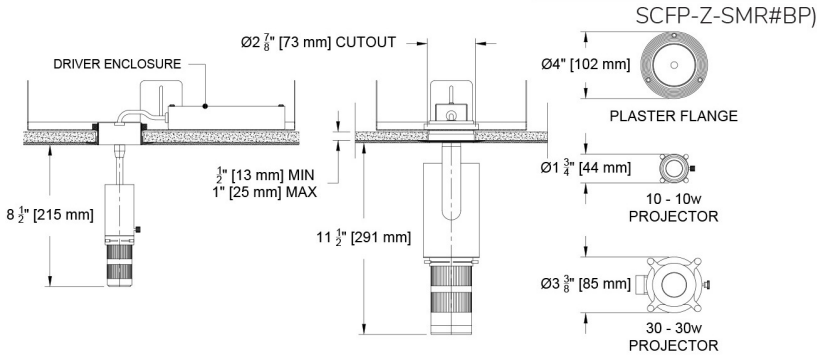


Panel Mount

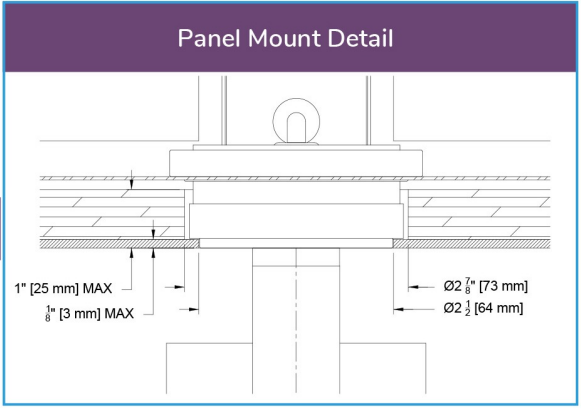
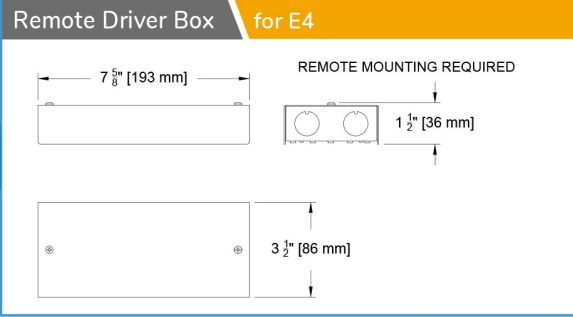
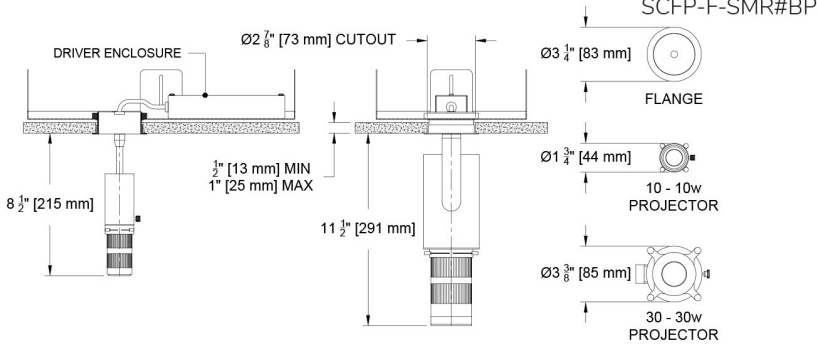


Ceiling Cutouts and Dimensions

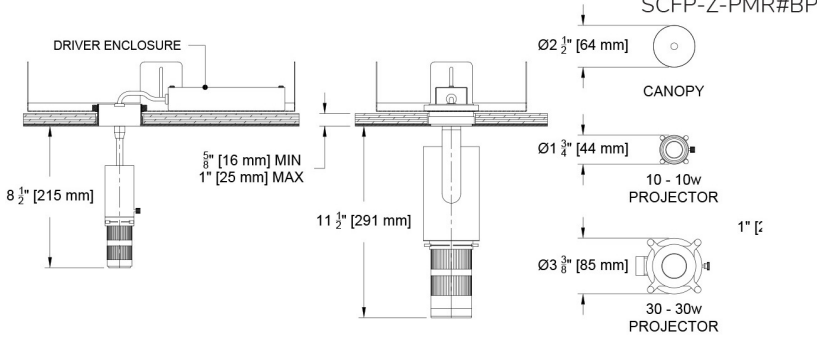
Flangeless Framing Projector (Integral Driver) | **Plaster Surface Mount Bracket Pan (#BP)** | **Remote Driver Box** for E1, E2, E3, C1, C2, TR2



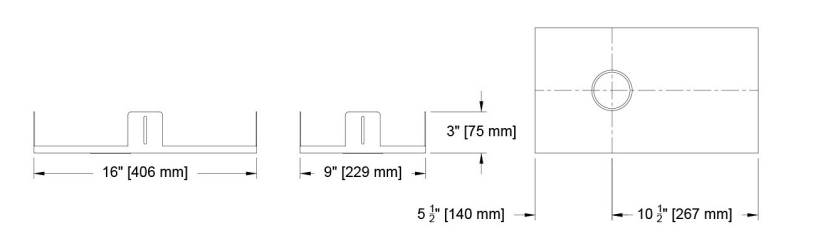
Flangeless Framing Projector (Integral Driver) | **Flanged Surface Mount Bracket Pan (#BP)** | **Remote Driver Box** for E4



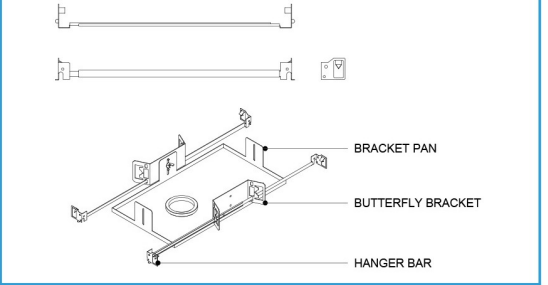
Flangeless Framing Projector (Integral Driver) | **Panel Mount Bracket Pan (#BP)**



Bracket Pan Detail | **BP** (SCFP--Z-#BP-)



Bracket Pan Mounting Detail



Ceiling Cutouts and Dimensions

Flangeless Framing Projector (Integral Driver)

Large Junction Box
Surface Mount (SMLJB)

SCFP-Z-SMLJB)

